

# *LANKELEISI*

---

## E-BIKE USER MANUAL



---

### ATTENTION

Please read this manual carefully before using the lankeleisi electric bicycle. If you do not understand this information, or if you do not cover the issues covered in this manual, please contact the dealer.

---





# WELCOME TO LANKELEISI

## THANK YOU FOR CHOOSING LANKELEISI E-BIKES

Welcome to your new lankeleisi E-Bike! You are entering a new world of ease, luxury, and mobility. Whether you're looking for an environmentally friendly alternative to your regular gas-powered vehicle, a fun way to avoid traffic congestion, or simply want to spend more time outdoors, we hope you enjoy your new E-Bike. In a life full of headwinds and tailwinds, it is our honor to be the wind at your back.

If you have questions or comments, please don't hesitate to contact us:

Email: [ming@lklsebike.com](mailto:ming@lklsebike.com)

web: [lklsebike.com](http://lklsebike.com)



# VEHICLE IDENTIFICATION NUMBER / SERIAL NUMBER

## FOR YOUR RECORDS

For future reference, please fill in the important information below. Your serial number can be found on the inward-facing surface of the frame seat stay or on head top tube.

Please retain your sales receipt for any possible warranty or loss claims.

MY LANKELEISI SERIAL NUMBER:



SERIAL  
NUMBER  
or

SERIAL  
NUMBER  
or



# FOR YOUR RECORDS

**MY LANKELEISI E-BIKE**

Name

Address

Purchase Date

Purchase Channel

LANKELEISI WEBSITE     AMAZON     EBAY     OTHER

Model

Color

Serial #



## LANKELEISI E-BIKES

# TABLE OF CONTENTS

---

ABOUT THIS MANUAL	05
IMPORTANT SAFETY INFORMATION	06
ASSEMBLY INSTRUCTIONS	09
OPERATIONAL INSTRUCTIONS	17
RECHARGING THE BATTERY	22
BATTERY AND CHARGER CARE	24
GEARS	25
LED DISPLAY & KEYS	26
BRAKES	27
TIRES & INNER TUBES	28
TROUBLESHOOTING	29
LANKELEISI E-BIKES FAQs	30
INSPECTION AND MAINTENANCE	32
WARRANTY	34

---



# 01 ABOUT THIS MANUAL

---

This manual was written to help you get the most performance, comfort, enjoyment, and safety when riding your new lankeleisi E-Bike. The manual describes specific care and maintenance procedures that help protect your warranty and ensure years of trouble-free use. Please pay particular attention to the section on battery charging and maintenance.

It is important for you to understand your new lankeleisi

E-Bike, its features, and its operation, so you get maximum enjoyment with maximum safety. By reading this manual before you go out on your first ride, you'll know how to get the most from your new lankeleisi E-Bike.

It is also important that your first ride on a new lankeleisi E-Bike is taken in a controlled environment, away from cars, obstacles, and other cyclists.

---



# 02 IMPORTANT SAFETY INFORMATION

---

Cycling can be a hazardous activity even under the best of circumstances. Proper maintenance of your lankeleisi E-Bike is your responsibility, as it helps reduce the risk of injury. This manual contains many warnings about the consequences of failure to maintain or inspect your

lankeleisi E-Bike. Improper use could result in serious injury or death.

We recommend you use a trusted professional bike technician to assemble your lankeleisi E-Bike.

---



---

## IMPORTANT SAFETY INFORMATION

---

### A. ALWAYS WEAR A HELMET

Helmets significantly reduce the number and severity of head injuries. Always wear a helmet that complies with your state laws when riding your lankeleisi E-Bike. Check with your local police department for requirements in your community. Make yourself more visible by wearing bright reflective clothing. Keep your reflectors clean and properly aligned. Use head and tail lights in reduced lighting conditions. Wear sturdy shoes and eyeprotection. Also check your state laws concerning other protective gear that may be required when riding your lankeleisi E-Bike.

### B. KNOW YOUR LANKELEISI E-BIKE

Your new lankeleisi E-Bike incorporates many features and functions that you may be unfamiliar with. Read this manual thoroughly to understand how those features enhance your riding pleasure and safety.

### C. RIDE WITHIN YOUR LIMITS

Take it slow until you are familiar with the riding conditions, as traction can be greatly reduced and brakes become less effective. Never ride faster than conditions warrant or beyond your riding abilities. Remember that alcohol, drugs, fatigue, and inattention can significantly reduce your ability to make good judgments and ride safely.

### D. KEEP YOUR E-BIKE IN SAFE CONDITION

For your safety and enjoyment, and to ensure a long life for your lankeleisi E-Bike, inspect and maintain your E-Bike regularly. Follow the inspection and maintenance guidelines throughout this manual. Check critical safety equipment before each and every ride.



COMPONENT OR CONDITION	INSPECT BEFORE EVERY RIDE	INSPECT PERIODICALLY*	CLEAN AND/OR LUBRICATE	ADJUST/TIGHTEN	REPAIR/REPLACE IF NECESSARY
Tire pressure (25-35psi)	<b>X</b>			<b>X</b>	
Tire wear/damage	<b>X</b>			<b>X</b>	
Brake pad adjustment	<b>X</b>			<b>X</b>	
Wheel quick release adjustment	<b>X</b>				<b>X</b>
Head and tail lights	<b>X</b>				<b>X</b>
Controls and displays	<b>X</b>				
Seat post quick release adjustment	<b>X</b>			<b>X</b>	
Brake pad wear		<b>X</b>			<b>X</b>
Brake cable tension/wear		<b>X</b>		<b>X</b>	<b>X</b>
Spoke tension		<b>X</b>		<b>X</b>	
Wheel true		<b>X</b>		<b>X</b>	
Hub bearings		<b>X</b>	<b>X</b>	<b>X</b>	
Chain lubrication		<b>X</b>	<b>X</b>		
Derailleur adjustment		<b>X</b>	<b>X</b>	<b>X</b>	
Reflectors		<b>X</b>			<b>X</b>
Battery and charger		<b>X</b>			<b>X</b>
Headset adjustment		<b>X</b>	<b>X</b>	<b>X</b>	
Bottom bracket adjustment		<b>X</b>	<b>X</b>	<b>X</b>	
All bolts, nuts & mounting hardware		<b>X</b>		<b>X</b>	<b>X</b>

\*Every 5 to 10 rides depending on length and conditions of ride.



# 03 ASSEMBLY INSTRUCTIONS





## PART 1: REMOVE PACKAGING

Prompt:

Please read the installation steps before installation,  
and install according to the installation pictures and  
texts



**01**

Gather necessary tools.

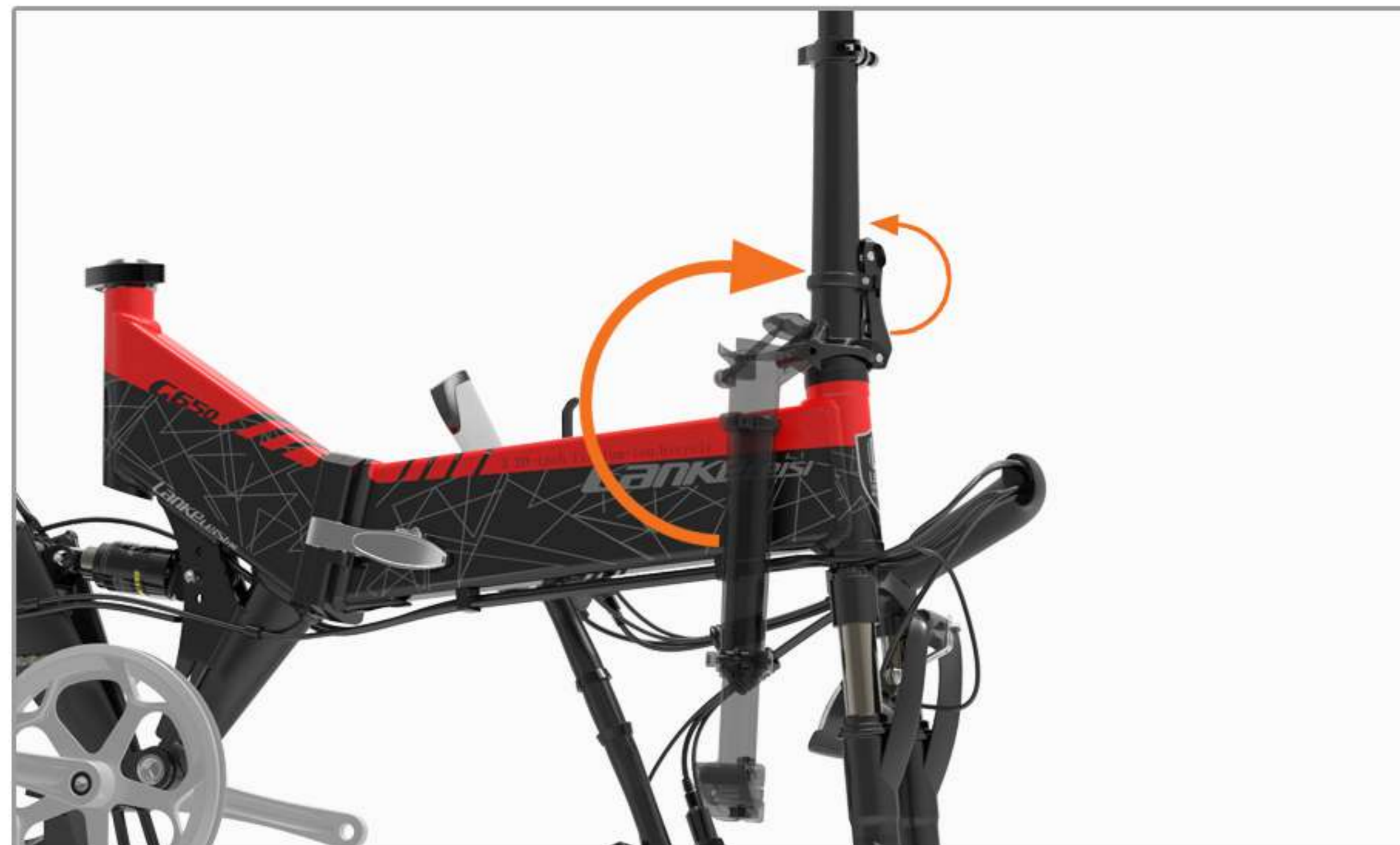


**02**

Unpack the LANKELEISI electric bicycle, take out the electric bicycle and accessories



## PART 2: HANDLEBAR ASSEMBLY



**01**  
Fold the riser upwards and tighten the folding buckle



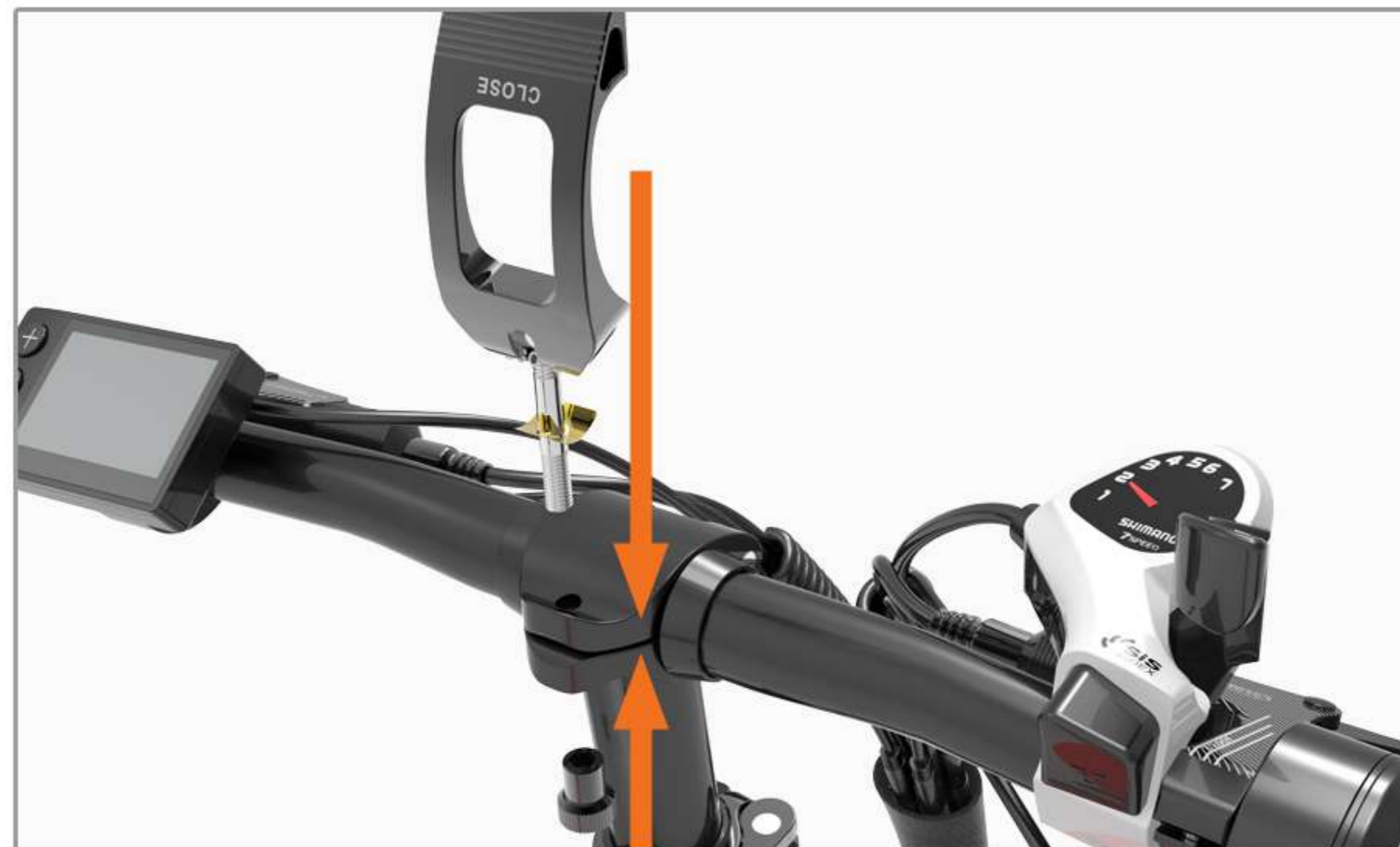
**02**  
Tighten the safety buckle



**03**  
Remove the quick release lever from the handlebar, open the handlebar and install the valve cover



**04**  
Installing handlebars



**05**  
Install the handlebar quick release



**06**  
Tighten the quick release rod  
A:tighten



## PART 3: HEADLIGHT & FRONT WHEEL ASSEMBLY



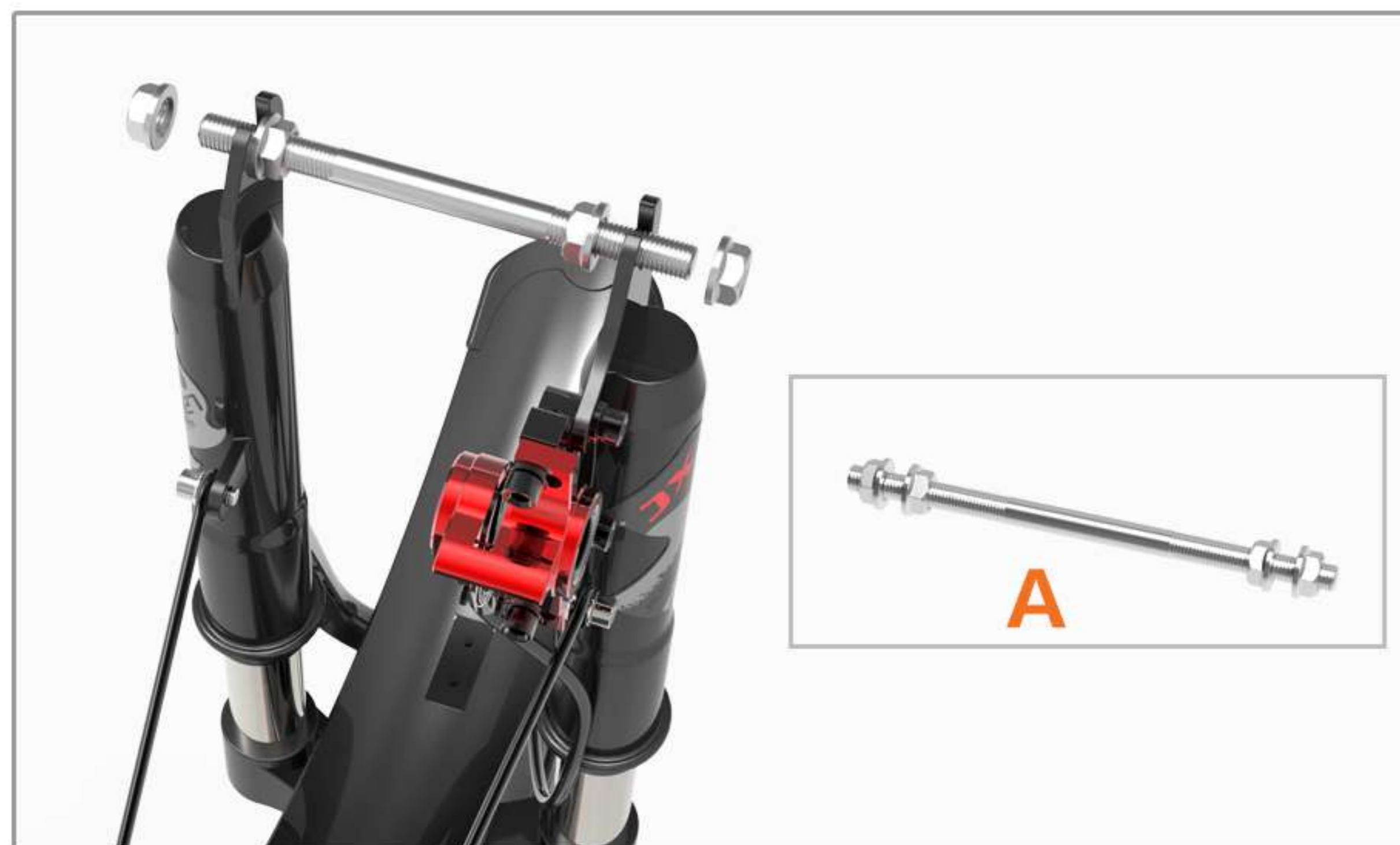
- 01**  
Fix the mudguard with the same screw as the front light



- 02**  
Fix the branches of the mudguard in the correct position and tighten the screws



- 03**  
Invert the entire vehicle



- 04**  
Remove the transport protection shaft  
A: The transportation protection shaft can be directly discarded after removal

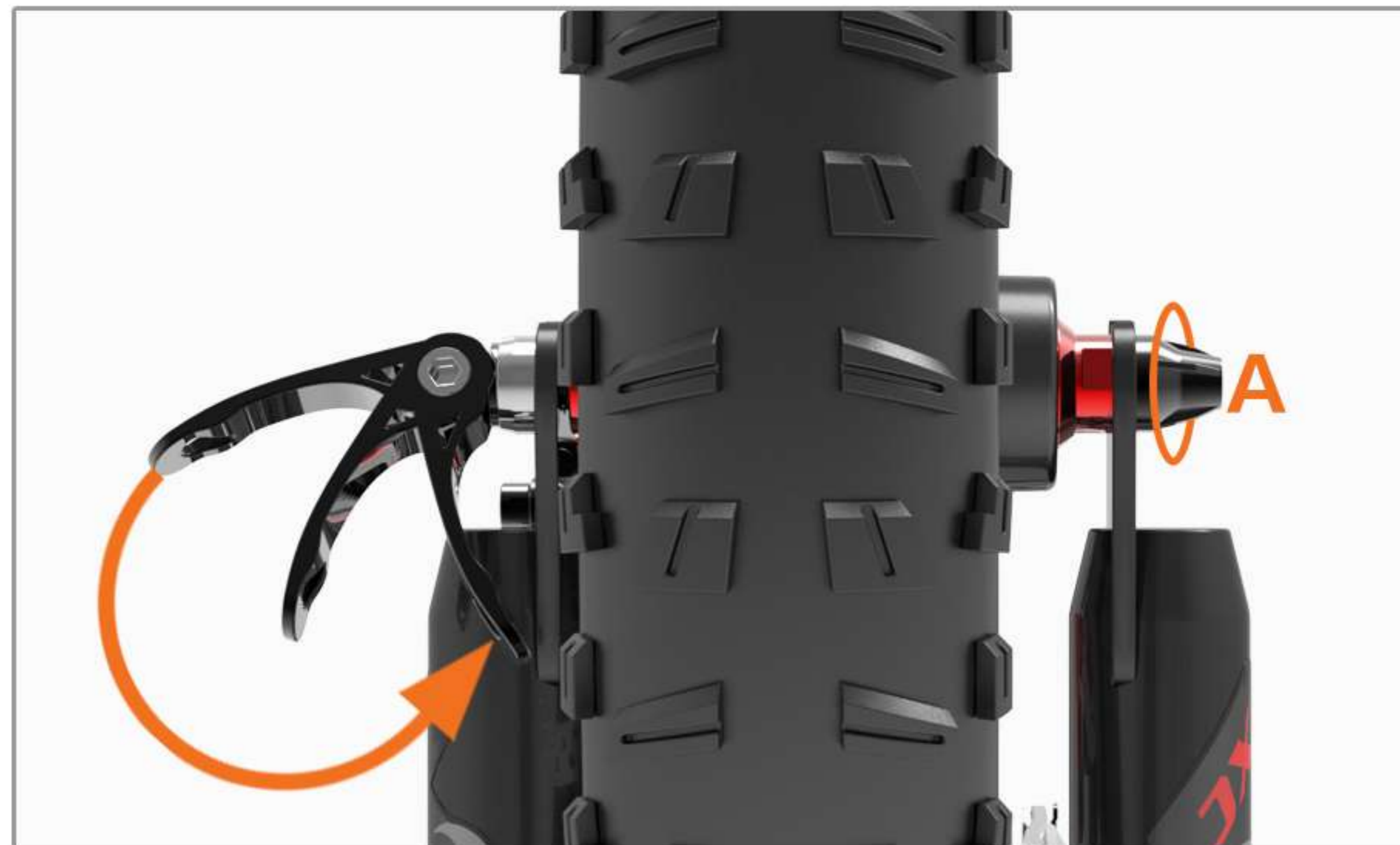


- 05**  
Put the wheel in the front fork  
Disc brake disc alignment clamp card slot



- 06**  
Insert the quick release lever from the disc brake





**07**

Tighten the quick release rod  
A:tighten

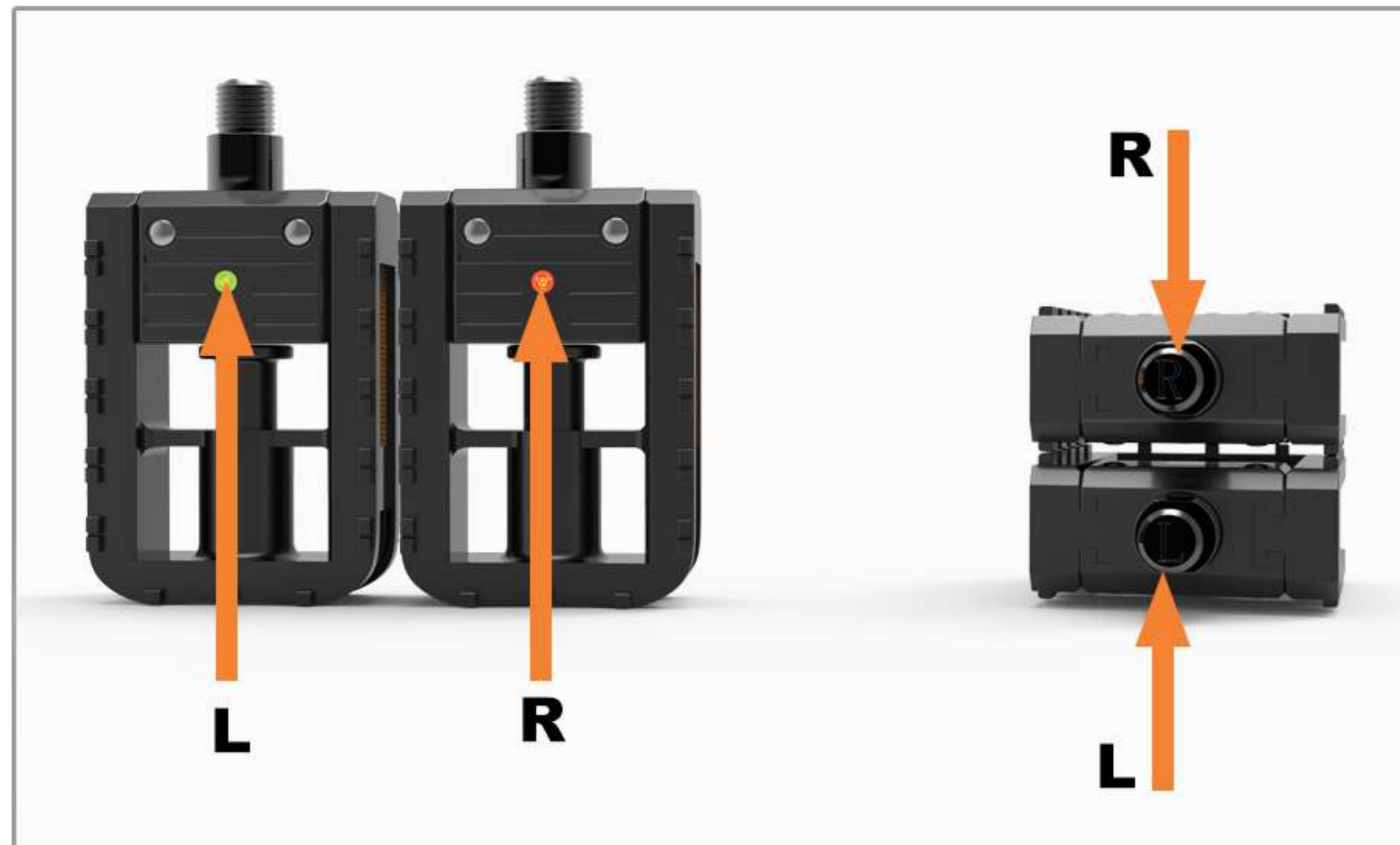


**08**

Front wheel installation completed



## PART 4: PEDAL AND SADDLE MOUNTING&DIRECTION ADJUSTMENT



### 01

Determine the left and right pedals.  
 "L" means the left side is mounted on the crank  
 "R" means the right side is mounted on the chainring



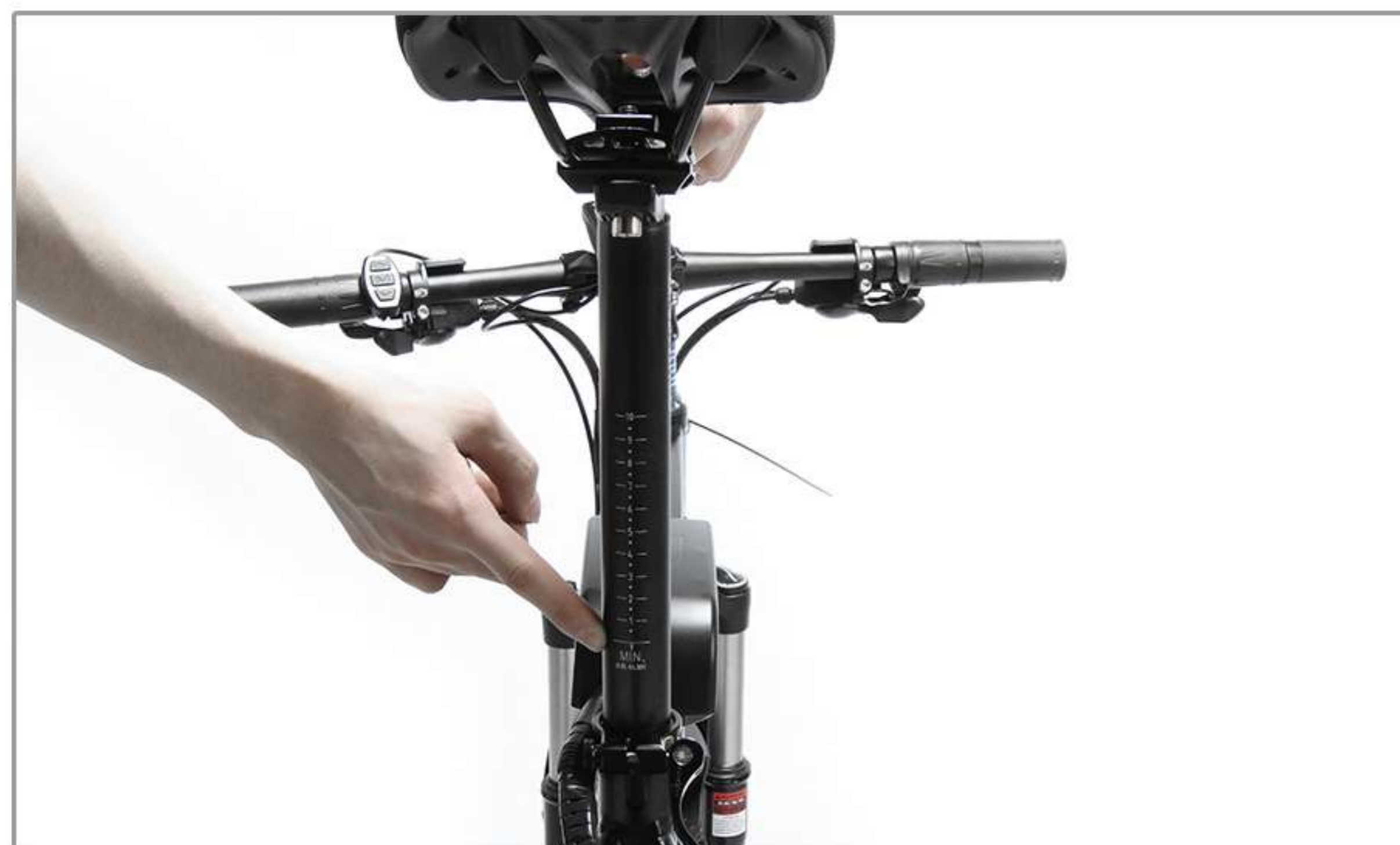
### 02

"L" pedal is fixed counterclockwise to the crank



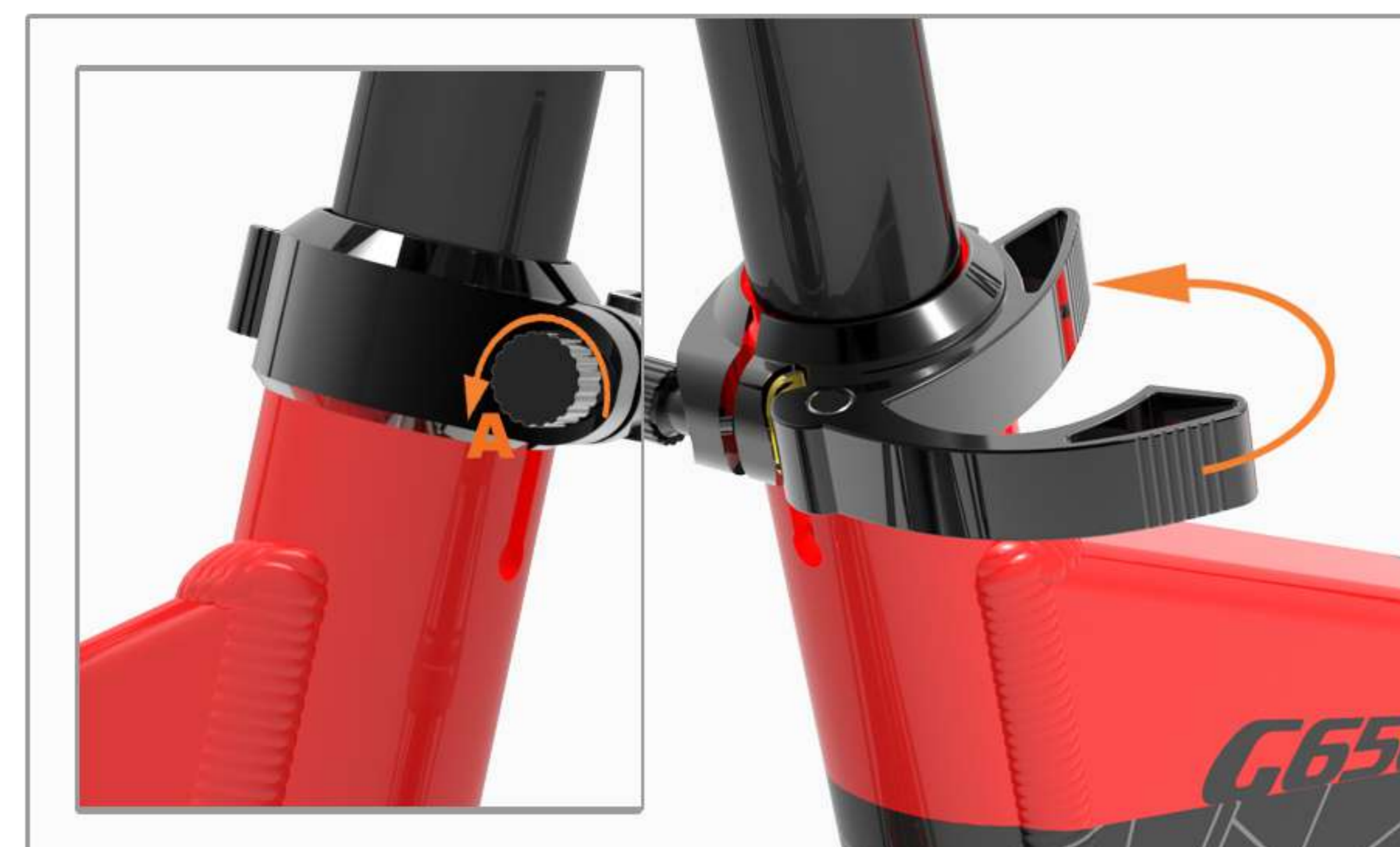
### 03

"R" pedal is fixed clockwise and fixed on the chainring



### 04

Adjust seat post according to your height, making sure it's within the safety line.

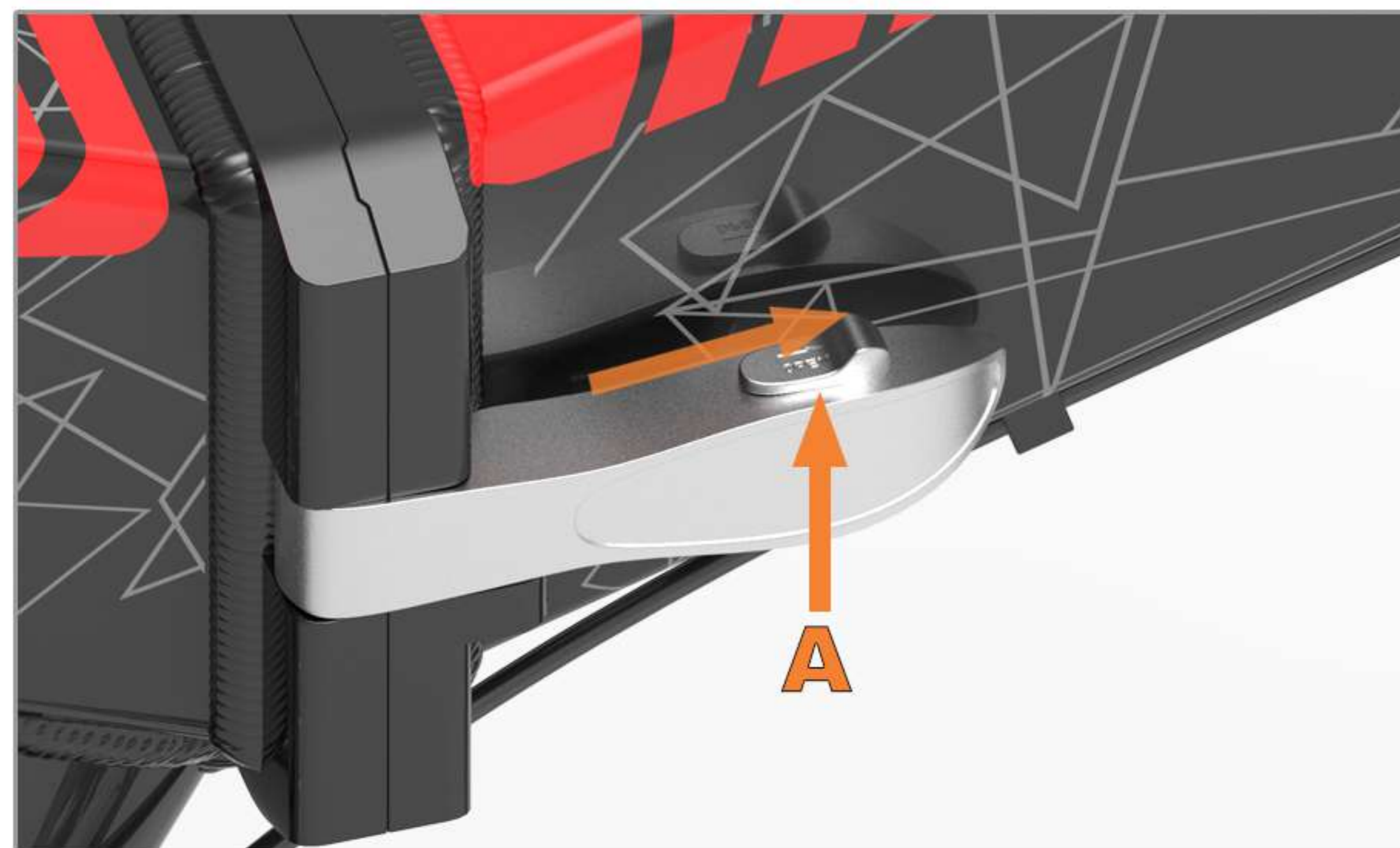


### 05

Fasten saddle clamp.  
 When the seat slides down, fine-tune and tighten the "A" screw



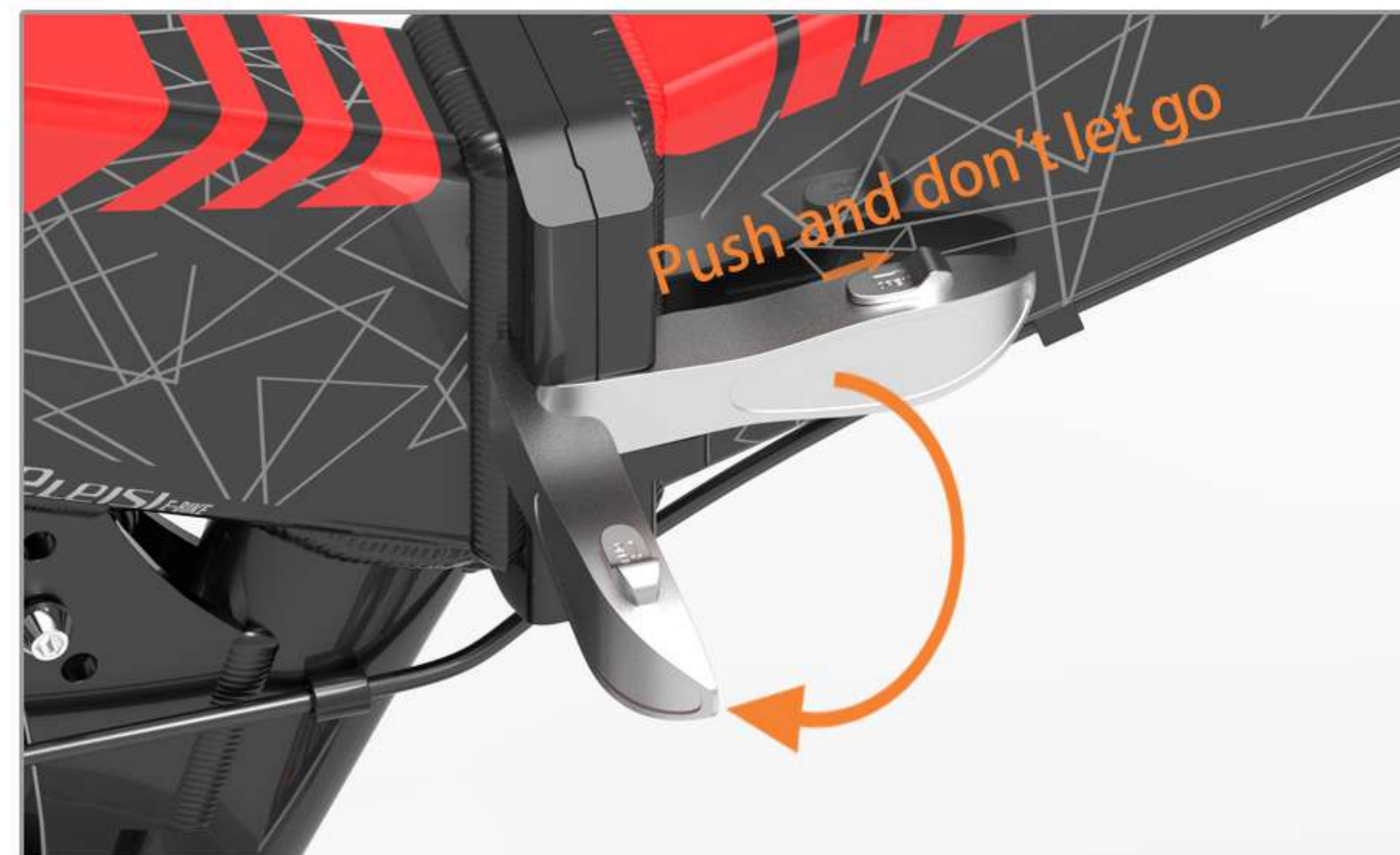
## PART 5: INSTALLING AND REMOVING THE BATTERY



**01**

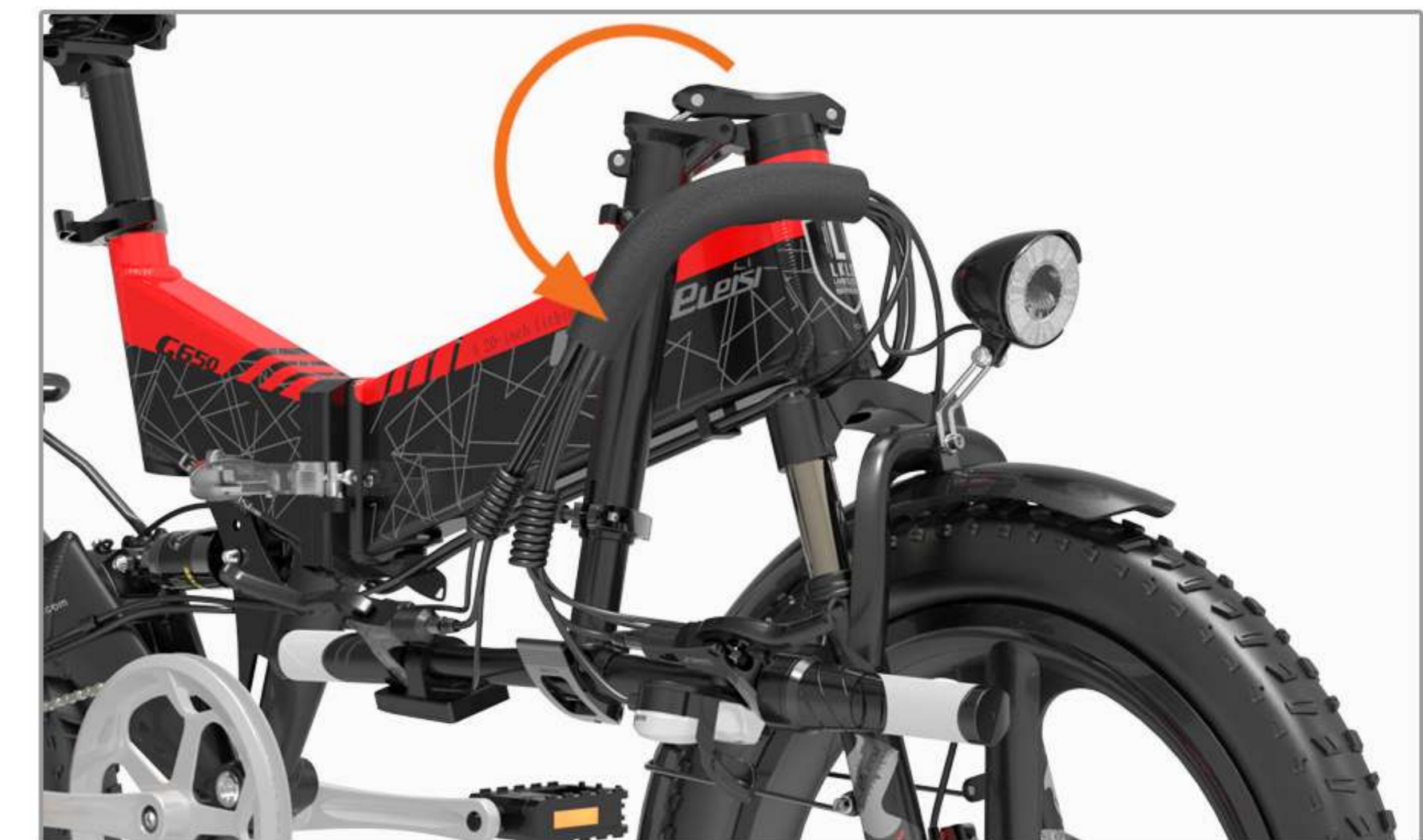
The folding safety is pushed forward while pulling the folding buckle.

A: Self locking safety switch, does not loosen when pressed



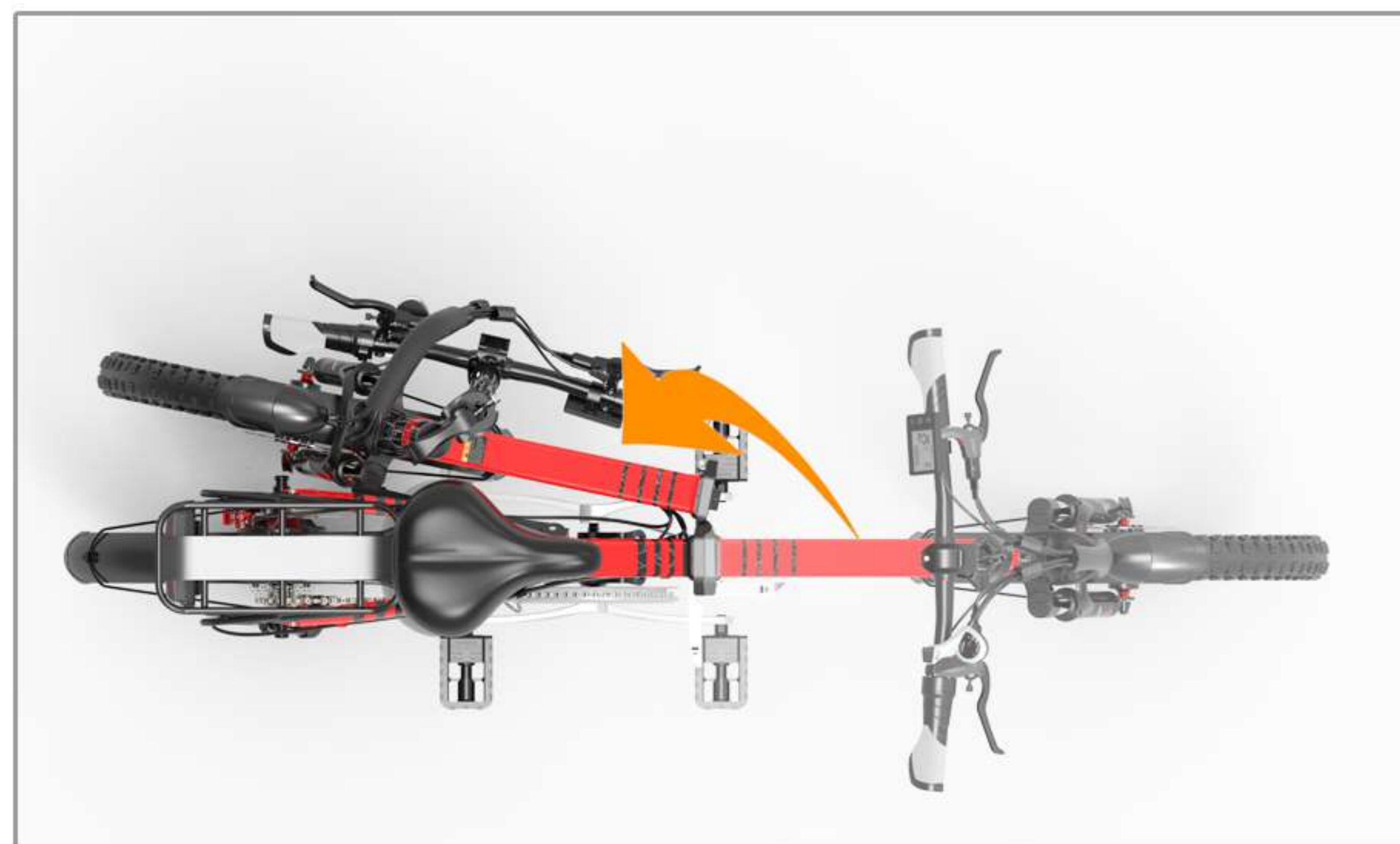
**02**

Do not loosen the seatbelt buckle, use your hands to forcefully open the folding buckle



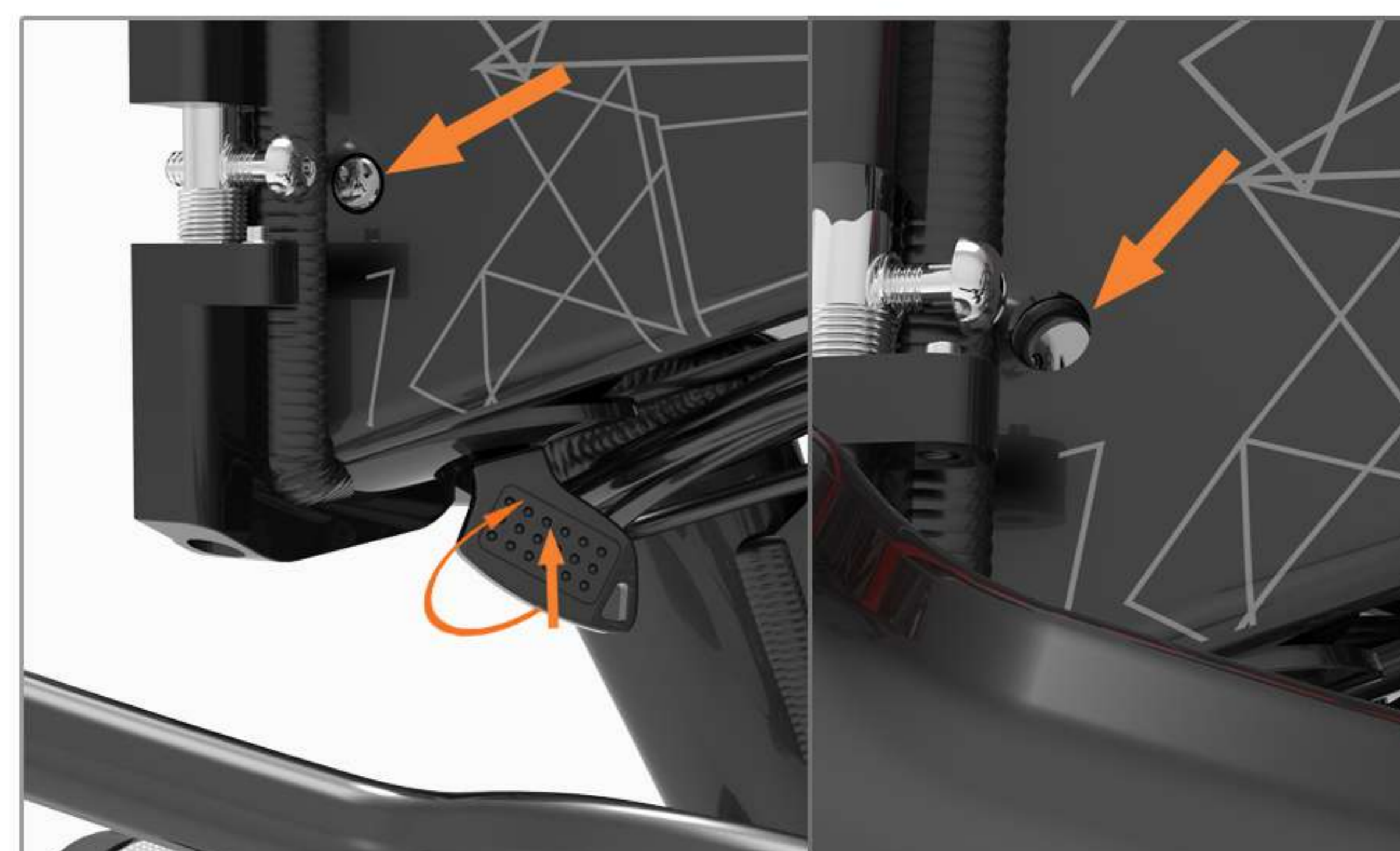
**03**

Folding handlebars



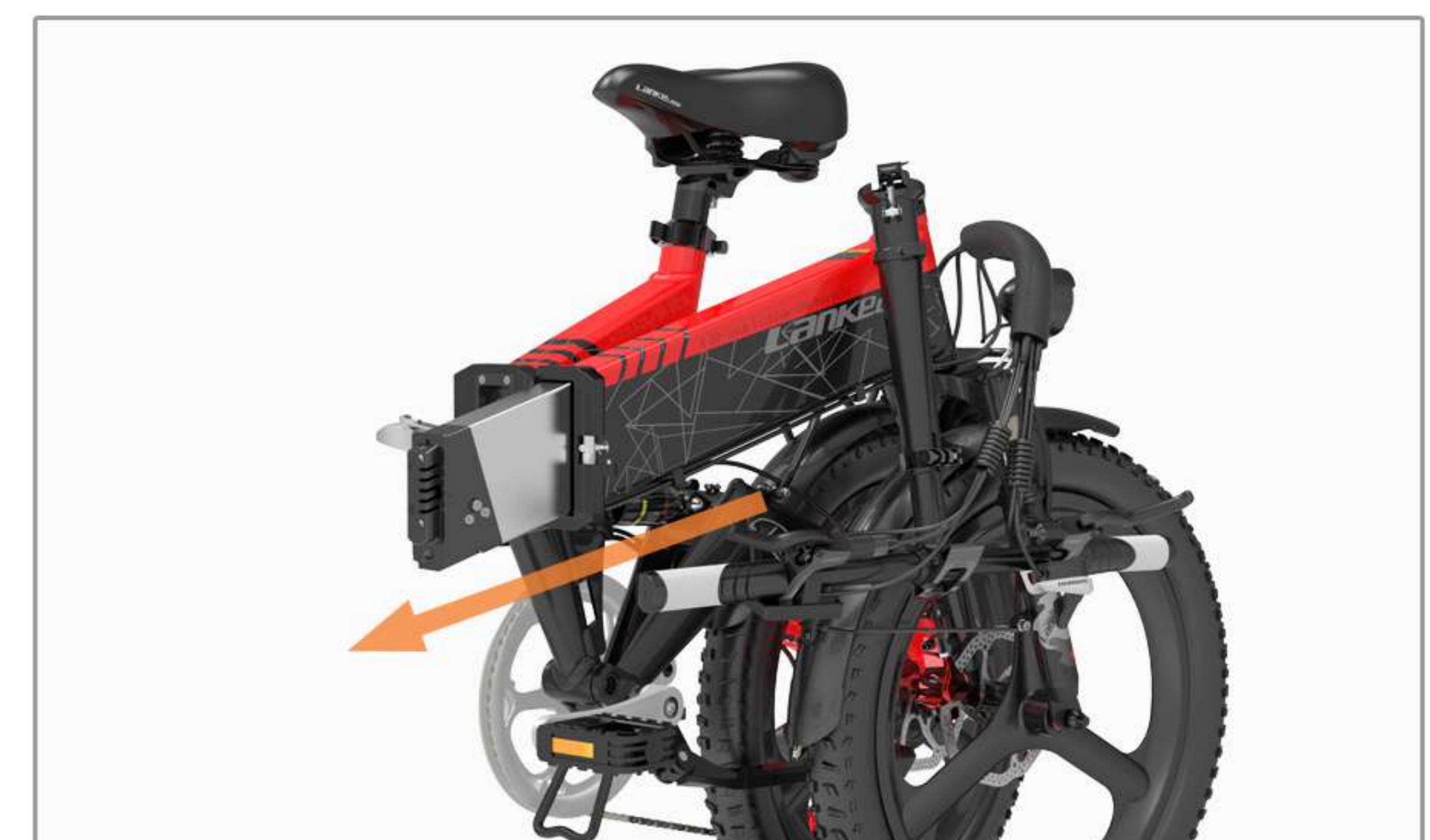
**04**

Folding the entire vehicle



**03**

Insert the key and press upwards to turn it. Please note that the lock cylinder has been fully retracted, then remove the key



**03**

Removing the battery

When removing the battery, hold it with one hand to prevent it from falling off







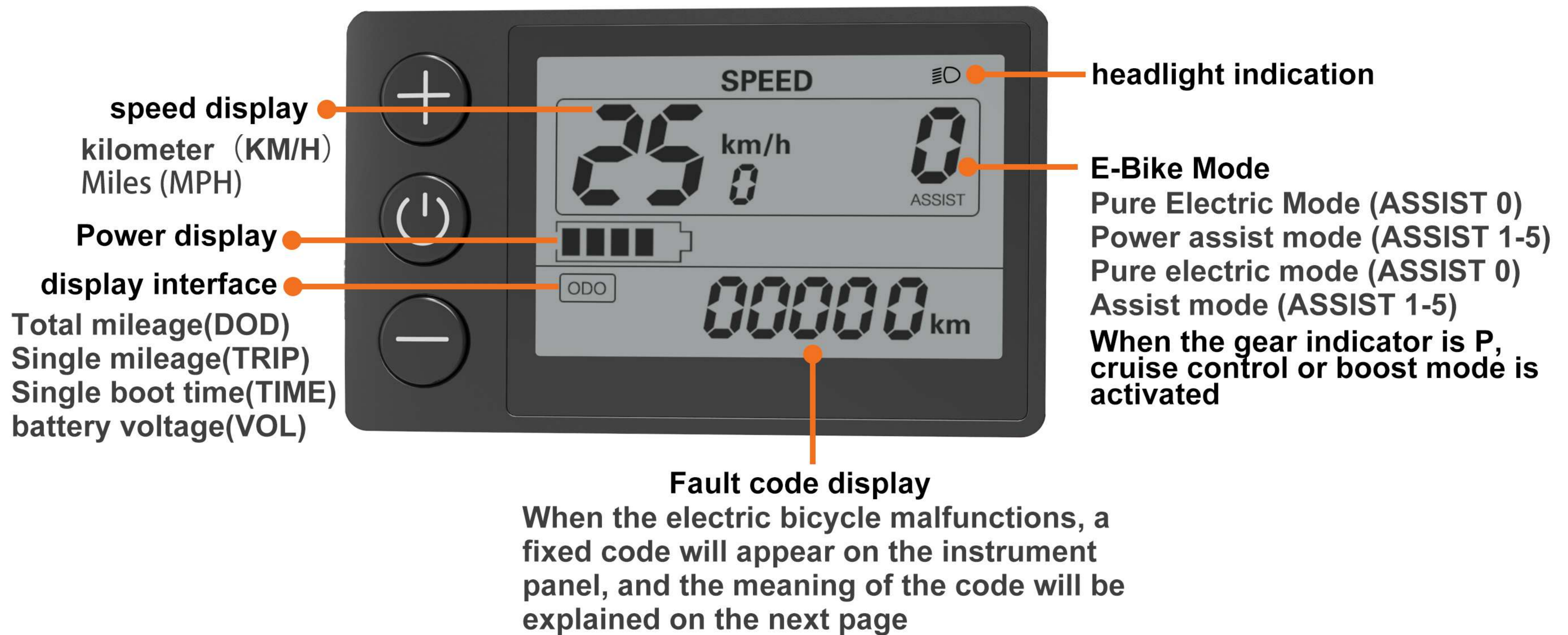
# 04 OPERATIONAL INSTRUCTIONS

---





## PART 1: LCD METER FUNCTIONAL AREA DISTRIBUTION







## PART 2: LCD METER KEY GUIDE

The button positions and combinations are shown in the following figure:



Key operations include short press, long press, and long press key combination. Details are as follows:

1. Long press the  key to power on/off the E-bike  
(\*If the electric vehicle is not used for more than 10 minutes, the LCD meter will automatically shut down)
2. After power on, the LCD meter displays real-time speed (km/h) and total mileage (DOD) by default. Short press the  key to display the information to switch between total mileage (DOD), single mileage (TRIP), single boot time (TIME), battery voltage (VOL)
3. Short press the **+** key or the **-** key to switch the power level (PAS). The proportional output is shown in the following table:

PAS	0	1	2	3	4	5
output	100%	50%	61%	73%	85%	96%

4. Long press the **+** button for 3 seconds to turn on the headlights, and then long press the **+** button for 3 seconds to turn off the headlights.

5. Press and hold the **-** button for 3 seconds, and the electric bicycle will enter the electric assisted push mode. Electric bicycles will travel at an average speed of 6 kilometers per hour. At the same time, the screen gear displays "P". Press and hold the **-** key again for 3 seconds or press the brake to cancel this mode.

(\*The push function is recommended to be used when pushing the bike uphill. Do not use this function while riding.)

6. Cruise mode: When using pure electric power, reach the speed you are satisfied with, long press the **-** button to enter the battery life mode. Press and hold the **-** key again or press the brake to cancel this mode.

(\*It is recommended to use this mode when the road surface is flat and there are few people.)

7. When the electric control system of the electric bicycle fails, the instrument will automatically display the error code.

The detailed error code definition is shown in the following table:

ERROR 00	Normal status	ERROR 08	Turning handle failure
ERROR 06	Battery undervoltage	ERROR 09	Controller failure
ERROR 07	Motor failure	ERROR 10	Communication fault

 When there is an error code on the display page, please contact the dealer in time to help you troubleshoot, the electric bicycle will not be able to run normally when there is a fault.



## PART 3: PARAMETER SETTING

### 1. Personalized parameter setting steps:

Note: In the power-on state, the operation is performed when the display speed of the instrument is 0

Simultaneously press and hold the **+** key and the **-** key to enter mode settings

Parameter value modification: In a certain parameter state, short press **⏻** key to switch parameters, short press **+** key to increase numerical value, short press the **-** key to decrease numerical value. After modification, short press the **⏻** key to switch to the next parameter, and Save the previous parameter value; After the parameter modification is completed, press and hold the **+** and **-** keys again to exit the settings interface. If not pressed, wait for 8 seconds to automatically exit and save the parameters.

### 2. Parameter settings

P01: Backlight brightness, level 1 is the darkest and level 3 is the brightest;

P02: Mileage unit, 0: KM; 1: MILE;

P03: Voltage level: 24V, 36V, 48V, 60V, 64V default 48V;

P04: Sleep time: 0, no sleep; Other numbers refer to sleep time, ranging from 1 to 60; Unit minute;

P05: Assist gear: 0, 3rd gear mode:1-5 modes:

P06: Wheel diameter: unit, inch; Accuracy: 0.1;  
This parameter is related to the displayed speed on the instrument and needs to be entered correctly;

P07: Number of speed measuring magnets: Range: 1-100;

P08: Speed limit: range 0-100km/h, 100 indicates no speed limit,

P09: Zero start and non zero start settings, 0: Zero start; 1: Non zero start;

P10: Drive mode setting 0: Power assisted drive (determines how much power is output through the power assisted gear, at this time

The transfer handle is invalid.

1: Electric drive (driven by a rotary knob, the assist gear is invalid at this time).

2: Power assisted drive and electric drive coexist simultaneously

P11: Assist sensitivity setting range: 1-24;

P12: Power start intensity setting range: 0-5;

P13: Three types of magnetic steel discs are set for assistance: 5, 8, and 12 magnetic steel discs

P14: Controller current limit setting default 12A range: 1-20A

P15: Controller undervoltage value


P16: ODO reset setting: Press and hold the up button for 5 seconds to reset ODO

P17:0: cruise not enabled, 1: cruise enabled; Automatic cruise control optional (only valid for Protocol 2)

P18: Display speed ratio adjustment range: 50%~150%,

P19:0 gear enable position, 0: including 0 gear, 1: excluding 0 gear

P20:0:2 Protocol 1: 5S Protocol 2: Backup 3: Backup

 The parameters are the default parameters of the instrument, please do not adjust them. If you accidentally adjust the parameters and the electric bike cannot function properly, please contact the dealer for assistance

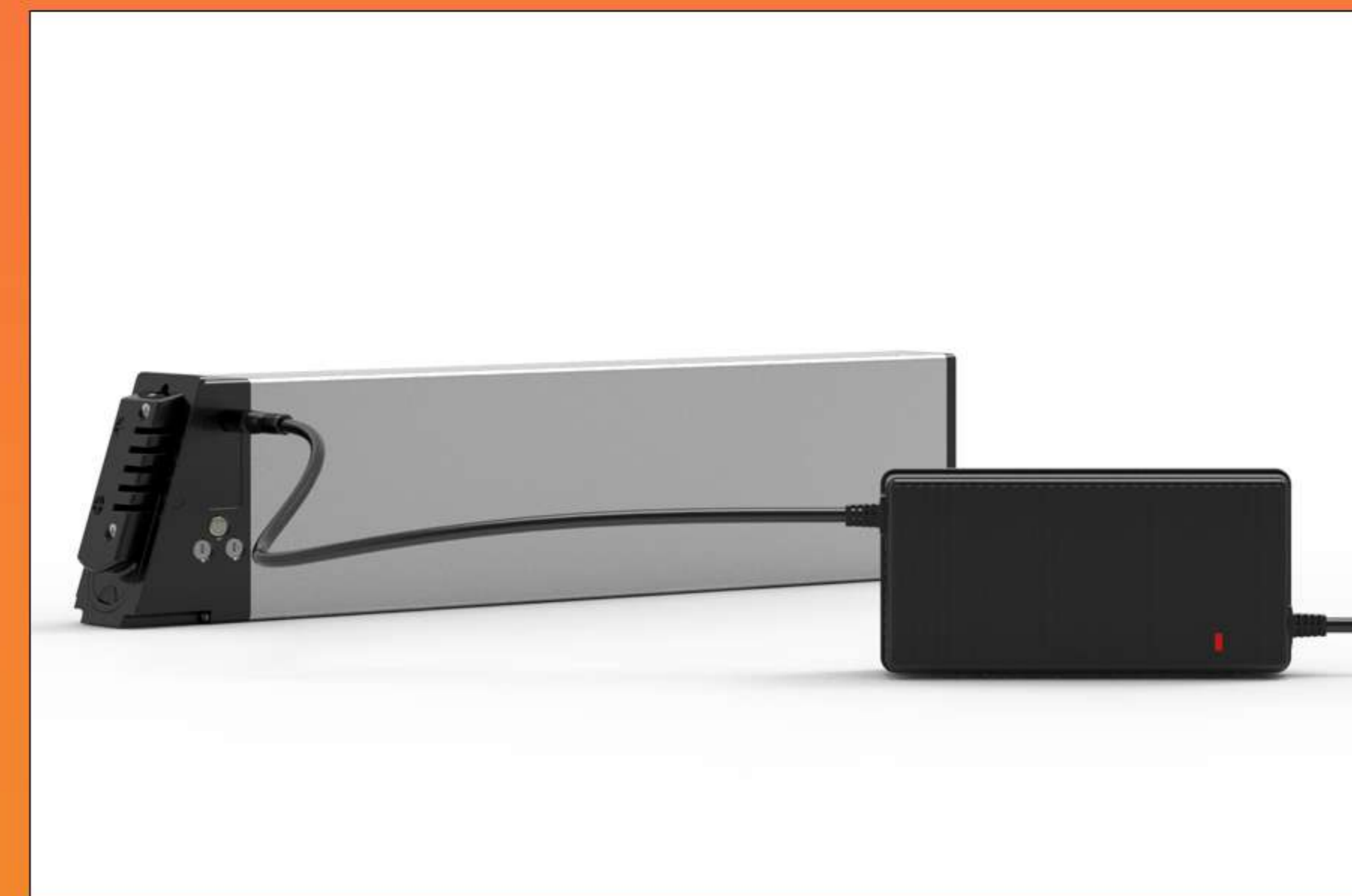


# 05 RECHARGING THE BATTERY



A. Recharge the battery on E-Bike directly

OR

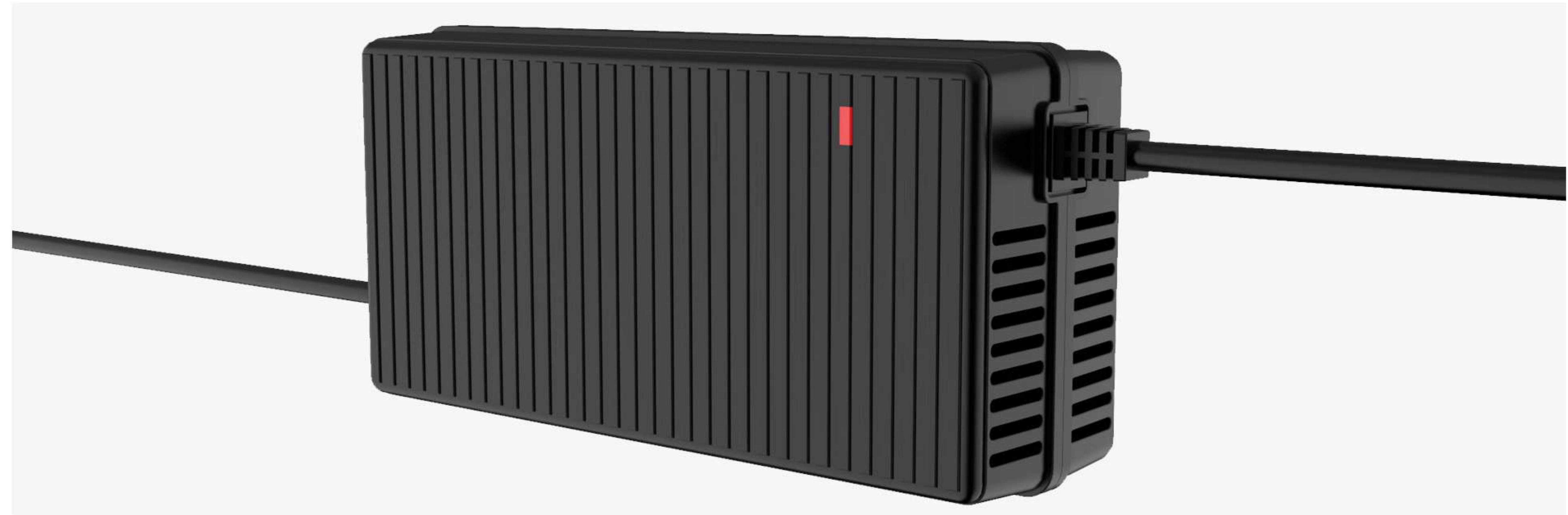


B. Remove battery from the E-Bike and recharge separately



---

## RECHARGING THE BATTERY



### ATTENTION

Connect the battery first, then connect the power supply and make sure the red LED of the charger is lit. The charger will charge the completed battery within 3 to 7 hours.

A red light indicates that the battery is charging. A green light indicates that the battery is fully charged.



# 06 BATTERY & CHARGER CARE

---

If the battery will not be used for an extended period of time, charge it fully and recharge it every 1 months.

Store in a cool, dry place. Recharge the battery before it becomes completely discharged.

Do not use it to power other electrical devices. Improper use of the battery will damage the battery and shorten its useful life and may cause fire or an explosion. If you experience unusual sounds or odors coming from the charger or the battery, unplug charger immediately and contact lankeleisi customer service

---

Recharge battery after every use.

Do not disassemble or alter the battery or battery charger. Do not place the battery near fire or corrosive substances. Do not allow any liquids on or inside the battery/charger. Do not expose the battery/charger to extreme weather conditions.

Do not operate the battery/charger if damaged. Recharge the battery only with a charger specified by the manufacturer.

Do not use the battery/charger for any use other than its intended purpose.



# 07 GEARS

---

Your lankeleisi E-Bike is equipped with multiple speeds. The first gear is for easier and uphill pedaling, and the last gear is for maximum speed on level or downhill terrain. Change gears only while pedaling.

The rear wheel contains seven or nine chain sprockets (depending on model). When the chain is around the largest sprocket, you are in 1st gear, or the lowest gear. The high gear will have the derailleur positioned so that the chain is directed around the smallest gear. Every

position on the gear selector should cause a gear change. Adjustments require fine tuning and should only be made by a qualified technician.

Avoid changing gears very rapidly from first gear to the last gear or vice versa. If you change multiple gears too quickly, you could cause the chain to come off the sprocket.

---



# 08 LED DISPLAY

Assist mode

Pure electric mode

The following data was obtained through idle testing:

PAS 0: Pure electric mode ( $\leq 34\text{KM/H}$ )

PAS 1: Low speed level,  $\leq 12\text{ KM/H}$

PAS 2: Medium speed class,  $\leq 18\text{ km/h}$

PAS 3: High speed level,  $\leq 25\text{ KM/H}$

PAS 4: Very high speed level,  $\leq 28\text{ kilometers per hour}$

PAS 5: Maximum speed level,  $\leq 34\text{ km/h}$

To ride in full electric mode (no pedaling), set your LED display to PAS 0. In this mode, your speed can be changed by twisting the throttle. You can also use your foot pedal, at which point the power assist system steps in

The speeds listed here are only for reference. Actual speeds will be affected by rider weight, temperature, road situations, incline, battery status, etc.



# 09 KEYS

Your LANKELEISI e-bike comes with a key:

- The key to the battery holder on the bicycle frame

## WARNING

Keep out of reach of children. Always keep your keys in a safe place to avoid losing them.



# 10 BRAKES

It's important to your safety that you instinctively know which brake lever controls which brake. On your lankeleisi E-Bike, the right brake lever controls the front brake. The left brake lever controls the rear brake.

Your lankeleisi E-Bike is equipped with disc brakes for maximum reliability. Applying hand pressure to the brake levers will cause the wheel brake to create friction against the brake disc, slowing the wheel. The more hand pressure applied to the brake lever, the faster the E-Bike will come to a stop.

The rear brake should always be applied before and while the front brake is applied. Applying only the front brake to slow or stop at high speeds may result in the rider being ejected from the saddle and continuing forward over the handlebars. It is best to apply even pressure to both brake levers when slowing or stopping.

Bicycles equipped with disc brakes will occasionally make a slight scraping noise when the wheels are turning without the brakes being applied. This is normal.

Make sure that the brake lever does not contact the handle bar when full hand pressure is applied (Figure 1). Brake normal state (Figure 2). A quick adjustment may be made by screwing or unscrewing the threaded barrel adjuster on the brake lever until the brakes are fine-tuned for safe, just adjust it close to Figure 1.

If the brakes are still not operating correctly, they may require further adjustment by an experienced bicycle mechanic.

## WARNING

- Disc brake rotors become hot during use. Do not touch or come in contact with the disc rotor shortly after use.
- Wet weather will require a longer distance to stop. Brake earlier and avoid sudden stops when riding in wet conditions.



FIGURE 1



FIGURE 2



# 11 TIRES & INNER TUBES

---

Tires should not be deflated unless necessary. To minimize tire wear and for maximum riding safety, comfort, and handling, maintain recommended tire air pressure. This can be found on the side wall of all tires. Use a reliable

tire air pressure gauge to check for proper inflation before every ride. At the same time, inspect tires for excessive wear and cracks. Replace tires if necessary.

---

# 12 APPEARANCE

---

Periodically clean your lankeleisi E-Bike with a damp cloth. Avoid spraying the lankeleisi with a water hose to avoid electrical issues. Store your lankeleisi in a dry, sheltered area away from direct sunlight and wet or damp environments.

It is also recommended to apply chain lube (such as Tri-Flow or ProLink) to the drivetrain of your E-Bike when you clean it up or wipe it down to keep it in good running condition.

---



# 13 TROUBLESHOOTING

---

If your lankeleisi E-Bike is not working, check the Quick Disconnect fittings to make sure they did not come loose or unplug

Simply unwrap the black spiral wire covering until the Quick Disconnect fitting is exposed, unplug and re- plug the Quick Disconnect fitting(s).

---





# 14

## LANKELEISI E-BIKES FAQ

**Q.** How long does it take to fully charge the battery?

**A.** It depends on the state of depletion, but around 3-6 hours if completely discharged.

**Q.** Can I ride up hills and against strong headwinds on my lankeleisi electric bike?

**A.** Yes. One of the main advantages of cycling on a lankeleisi electric bicycle is that it flattens hills and increases your average speed when tackling inclines and headwinds. If you provide a reasonable amount of effort, you should be able to tackle anything from a 10% gradient up to a 14% gradient. You will be amazed at the relative ease with which your new lankeleisi electric bike can tackle some of the most arduous journeys.

**Q.** Do I need to pedal an electric bike?

**A.** No, but it helps to prolong battery life. The motor on our bikes is both throttle and pedal assist controlled, allowing you to decide how much power you desire. Have you ever tried to cycle when speeding downhill on your normal bicycle? It's just like that. The motor is propelling you faster than you're cycling, so there is pretty much no resistance. It's merely a formality!





**Q.** What happens when I use the brakes under powered assistance?

**A.** All of our bikes are equipped with brake levers that have a built-in safety switch that automatically cuts off the motor power under normal braking conditions. This not only ensures a safe unpowered stopping feature, but also protects the motor under braking conditions so that it isn't working against the brakes.

**Q.** How far will a lankeleisi take me?

**A.** This all depends on a few factors. Cycling with pedal assist along a straight road under normal conditions, the standard battery should last about 35-50 km. Cycling up steep hills will obviously take more energy out of the battery and factors such as road surface, wind resistance, weight of the rider, and tire pressure will affect your range.

**Q.** What happens if I get a flat tire?

**A.** The tires on our bikes are the same as conventional bicycles. Simply replace the tube with a tube of the right size and inflate it. No special tires or parts will be needed.

**Q.** How do I know when the battery is low?

**A.** A clearly visible indicator on the LED screen shows the amount of juice remaining. If it's getting lower and lower and you don't think you can get to your destination, you can turn off the motor and reserve it for the hard part.

**Q.** Do I have to wait for the battery to empty before I charge it?

**A.** No. The batteries we use are Lithium-ion batteries which do not suffer from 'memory effect.' This means that there is no need to discharge a battery completely before you recharge it again. You can partially recharge the battery at any time without reducing its voltage or lifespan. We recommend recharging the battery after every use, regardless of how far you rode.





# 15

## INSPECTION & MAINTENANCE



### Hand brake cut-off power

When your bike is equipped with brake cut-off power set, the bike will automatically cut off power when the brake is used.

### Low voltage protection

When the battery output voltage reaches its limit, the electronic control system will cut off the power to automatically protect the battery. When the battery reaches its minimum voltage, you can switch to pedal riding. The battery should be recharged before riding again.

### Power off

When your E-Bike is not in use, please turn off the power.

### Charge indicator

Red indicates charging, green indicates that the battery is full.

Note: The battery switch must be turned off using the switch on the bottom when the battery is charging. The battery must be fully charged before the first use. We recommend you charge the battery for a full 6 hours after your first 3 uses. If the bike is not used for a long time, you should fully charge and remove the battery. While not in use, keep the battery turned off and recharge every 2 months.

Make sure to keep the battery and charger away from children during charging.

Do not attempt to disassemble or modify the battery or charger.

Do not use the battery or charger for any use other than its intended purpose.

### Battery charging

Plug in the connector between the charger and the battery, then plug the charger into an electrical outlet. The LED indicator on the charger will show red, which means charging. When the indicator light turns green, the battery is fully charged. When you are finished charging, first unplug the charger from the power supply, and then unplug the connector between the battery and the charger.

During the charging process, the charger and battery should be placed in a stable and cool place. The battery operating temperature range should be between 32 and 110 degrees Fahrenheit. Do not put any cover on the battery or charger. Make sure that no liquid comes into contact with the charger.



---

### **Mileage**

Performance of electric bicycles is affected by road conditions, rider/load weight, and weather conditions. We recommend that you manually pedal as often as possible to improve your travel distance and battery life.

### **Inclines**

When riding uphill on an incline of 15 degrees or more, we recommend using the pedal to assist your climb.

### **Cleaning**

When cleaning your electric bicycle, wipe with a dry or damp cloth, do not spray directly with a hose. Do not put oil on the front brake.

The seat tube should be cleaned and lubricated if necessary.

### **Parking**

Please make sure your lankeleisi E-Bike is parked in a stable place and the kickstand is used.

## **BASIC MAINTENANCE**

---

1. To ensure that your E-Bike is in the best condition, maintain and clean regularly.

2. Regularly check that the tires are inflated correctly.

3. Make sure that quick release, nuts and bolts are tightened.

4. After a period of riding, check that the spoke tension is normal. Adjust as needed.

5. The frame and other parts are made of aluminum alloy. Avoid friction or collision and clean it regularly.

6. Do not take apart the motor, battery, or controller yourself. If necessary, take your E-Bike to a professional bicycle technician for repairs.

7. Do not use high-pressure water to clean your E-Bike. Keep water away from the controller, battery and motor.

8. Lubricate the chain, flywheel, head parts, kickstand, etc. when necessary.



# 16

## WARRANTY CERTIFICATE

### Important

LANKELEISI warranties against manufacturer defects for all of our regular electric bikes and parts except accessories.

The warranty period begins on the delivery date within twelve (12) months.

Please note this warranty only covers the initial purchaser and DOES NOT cover accessories.

### Validity

The warranty is valid only when:

- a)The Product is purchased from LANKELEISI authorized dealers or outlets.
- b)The Product is NOT transferable to any third party either in ownership or during the period of contract.
- c)The model and serial label should not be defaced or removed from the Product.

### Exclusion

The warranty is not applicable to:

- a)Damage or loss caused by modification, alteration, or repair by any unauthorized party.
- b)Damage or loss cause by mishandling by the customer or person(s) with access to the product on the customer's premises.
- c)Normal wear and tear.
- d)Damage or loss caused by Acts of God or any other causes beyond LANKELEISI's control.

e)Damage or loss as a result of external bodies.

f) Damage or loss caused by another device that is connected to the Product.

g)Damage resulting from accidents, misuse, abuse, tampering, or failure of the customer to follow normal operating procedures outlined in the user manual.

h)General maintenance and servicing.

### lankeleisi E-Bike Warranty

In the rare case that your E-Bike arrives and does not work, the next course of action is repair or replacement AT MANUFACTURER'S DECISION. In order to honor the warranty the following must be followed:

- If your E-Bike is received with a defect, lankeleisi will take care of the shipping fees (at lankeleisi's instruction) and immediately ship replacement equipment or repair the equipment.
- If your E-Bike is in need of repairs, the owner must contact lankeleisi and will receive a Return Authorization (RA) Number and all of the necessary information.lankeleisi will not accept returns without an RA.
- All returns must be properly packaged to prevent damage during shipment. An explanation of the problem or damage and a proof of purchase must be submitted with the return which will be shipped by the owner.
- The RA number must be clearly visible.
- The owner will be responsible for insurance of the merchandise (at owner's cost) because lankeleisi will not be responsible for damages or losses during shipment.



**The warranty is void if:** The damages are a result of an accident, abuse, alteration, non-authorized usage, or use of electricity other than that indicated in this manual.

**The warranty is void if:** The owner or user neglected to do routine maintenance required and the damages or problems are directly related to such neglect. It is the user's responsibility to keep the E-Bike in proper condition.

**Certain parts of the equipment are not covered by the lankeleisi warranty due to the fact that they require replacement after multiple uses. For example: buttons, pedals, seats, tires, etc. These parts will eventually require replacement at the owner's cost.**

The manufacturers will not be held responsible for damages or monetary losses related to the purchase or use of their products. Tailwind denies responsibility for all physical and moral damages linked to the purchase and use of their products. In all cases, the damages cannot exceed the purchase price paid by the initial owner.

The final decision to honor the warranty is taken by lankeleisi personnel after a technical inspection when the owner returns defective products.

#### **The warranty excludes:**

1. Replacement and shipping costs of products worn out by normal use.
2. Replacement and shipping costs of products due to problems related to neglect, abuse, or lack of maintenance.

**Warranties are NON-TRANSFERABLE.**

#### **Product Data**

E-Bike Model: \_\_\_\_\_  
 Serial Number: \_\_\_\_\_  
 Purchase Date: \_\_\_\_\_  
 Order Number: \_\_\_\_\_



# ***LANKELEISI***

**DONGGUAN JIETU OUTDOOR SPORTS GOODS CO., LTD.**

ADD: NO. 1, HEDONG 2ND ROAD, JINSHA, CHANG'AN, DONGGUAN, GUANGDONG, CHINA

 [WWW.LKLSEBIKE.COM](http://WWW.LKLSEBIKE.COM)

---